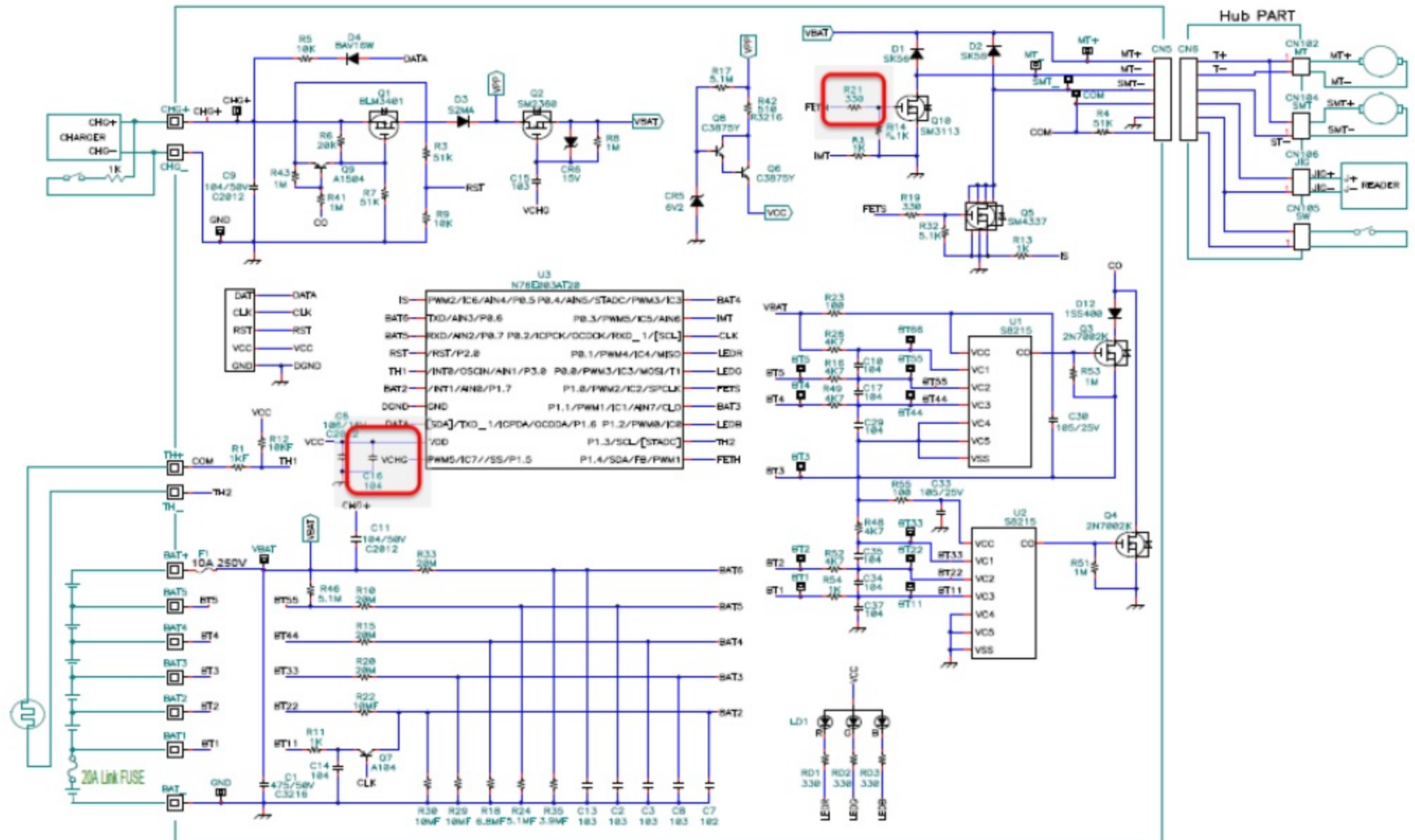


Attachment 2

Circuit diagram documentation

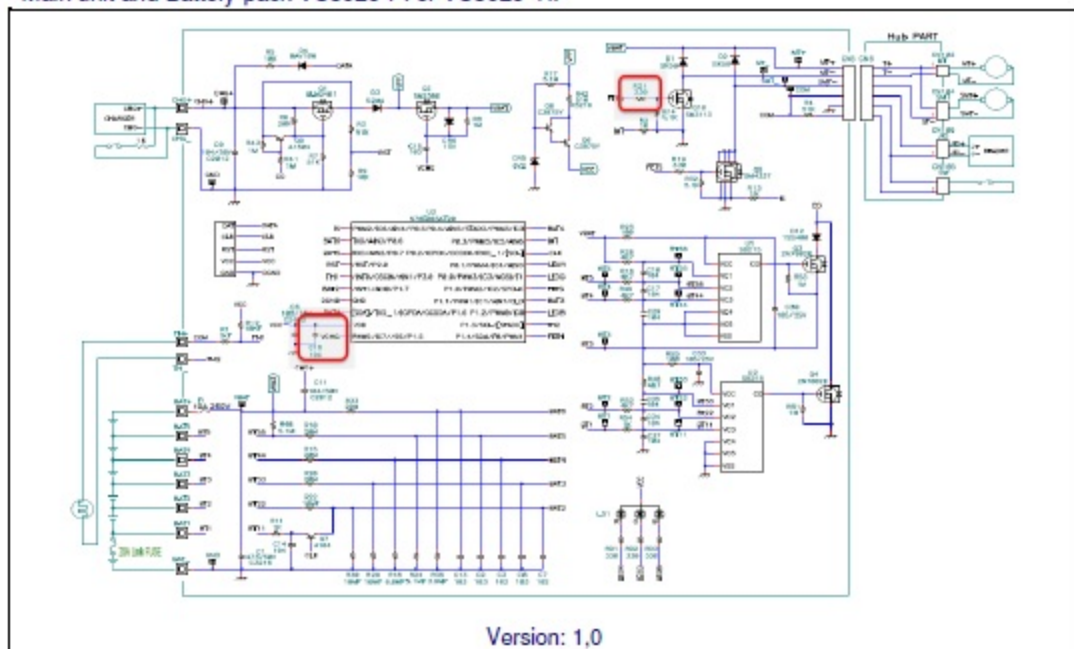
Vacuum Cleaner / VC3926-GS, VC3926B-CB, VC3926C-PE, VC3926D-CB, VC3926BA-CB, VC3926F-GS
Main unit and Battery pack VC3926-PI or VC3926-TI:



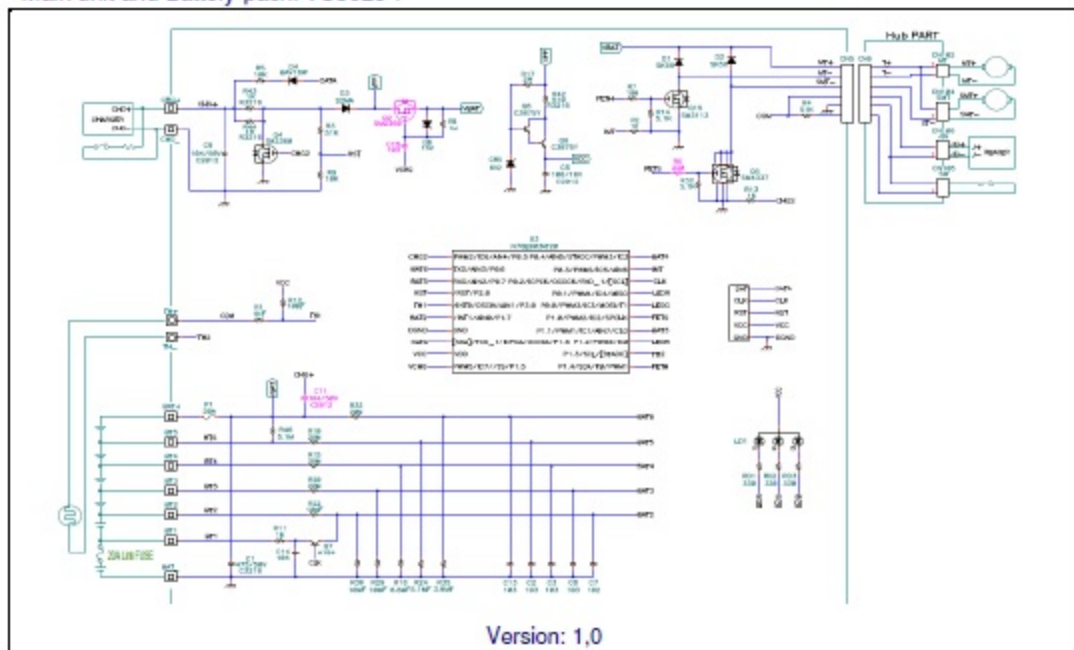
Attachment 2

Circuit diagram documentation

Vacuum Cleaner / VC3926-GS, VC3926B-CB, VC3926C-PE, VC3926D-CB, VC3926BA-CB, VC3926F-GS
Main unit and Battery pack VC3926-PI or VC3926-TI:



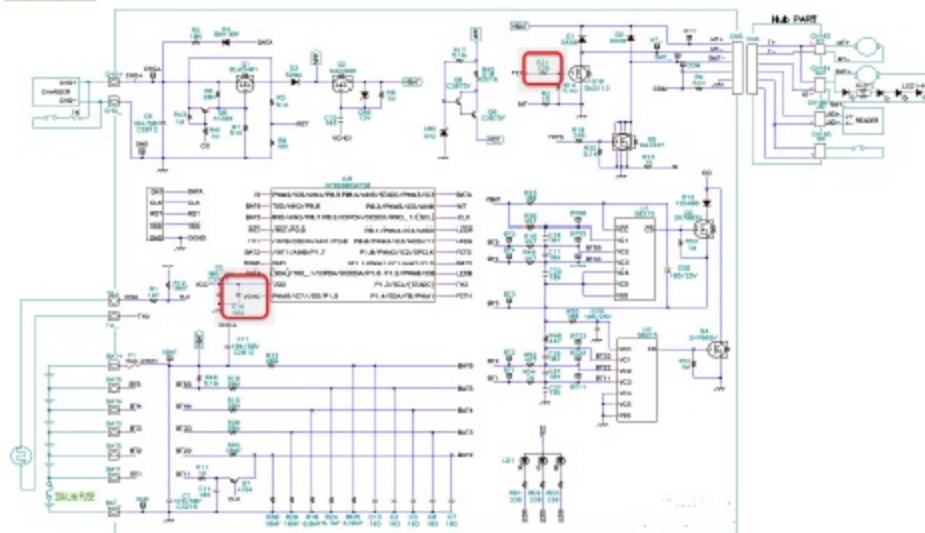
Main unit and Battery pack: VC3926-P



Attachment 2

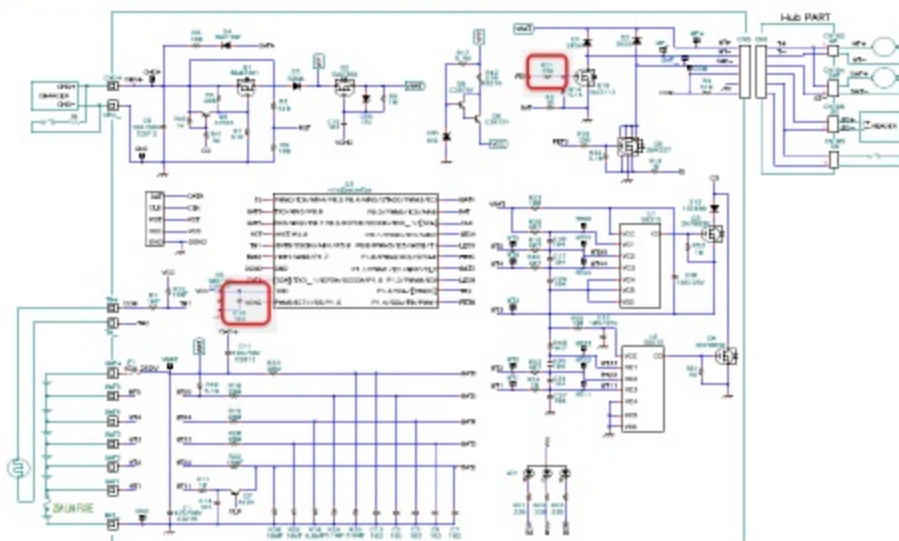
Main unit and Battery pack VC3926-PI or VC3926-TI (LED light on the brush head):

LF: 329499000000



Version: 1,0

Main unit and Battery pack VC3926-PI or VC3926-TI
(Alternative construction: without the LED light on the brush head):



Version: 1,0