

**FALCON CONTINENTAL
1092 INDUCTION**

DATE: 24.06.2019

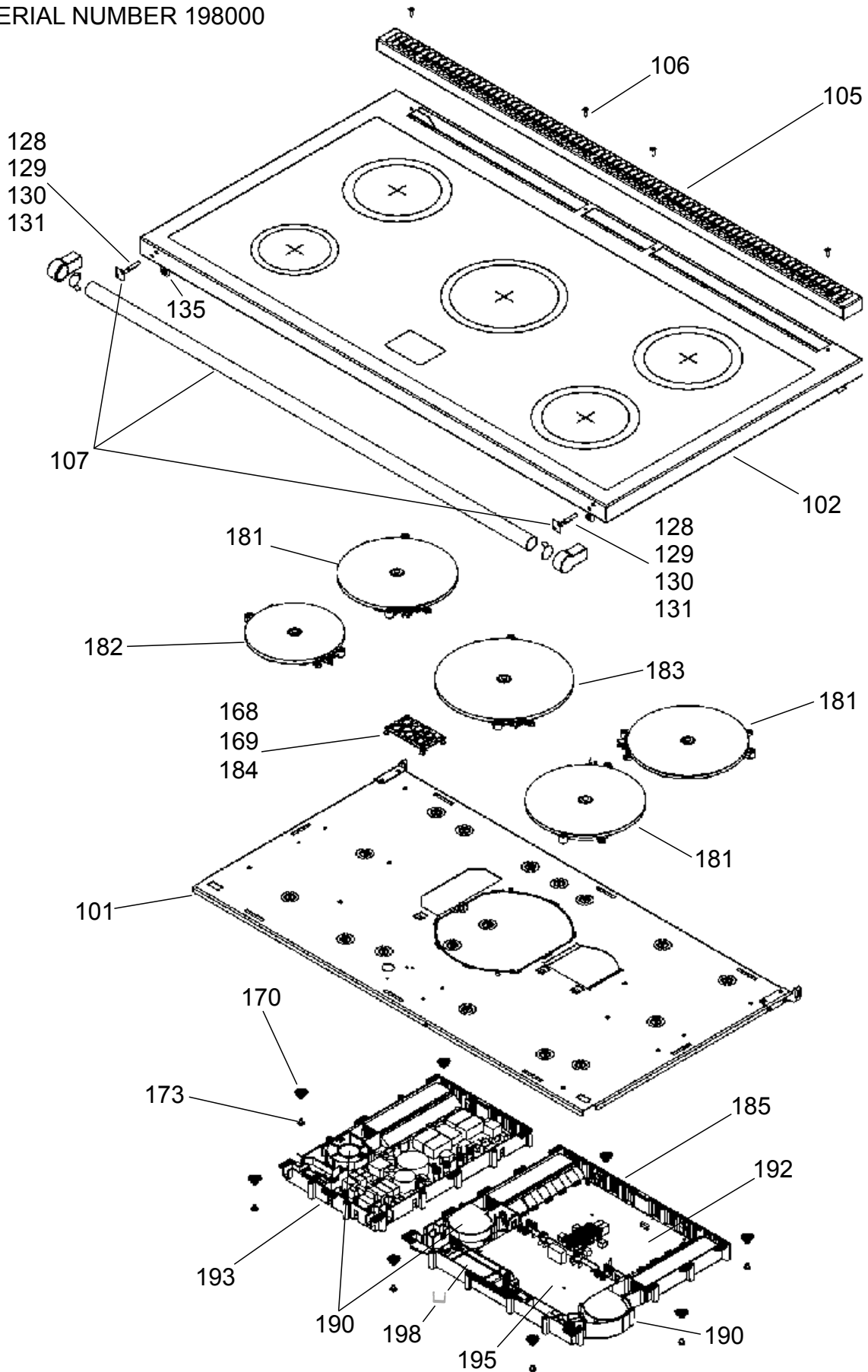
DSL0774 P00
ISSUE: 01



FALCON CONTINENTAL 1092 INDUCTION

FROM SERIAL NUMBER 198000

DSL0774 P01

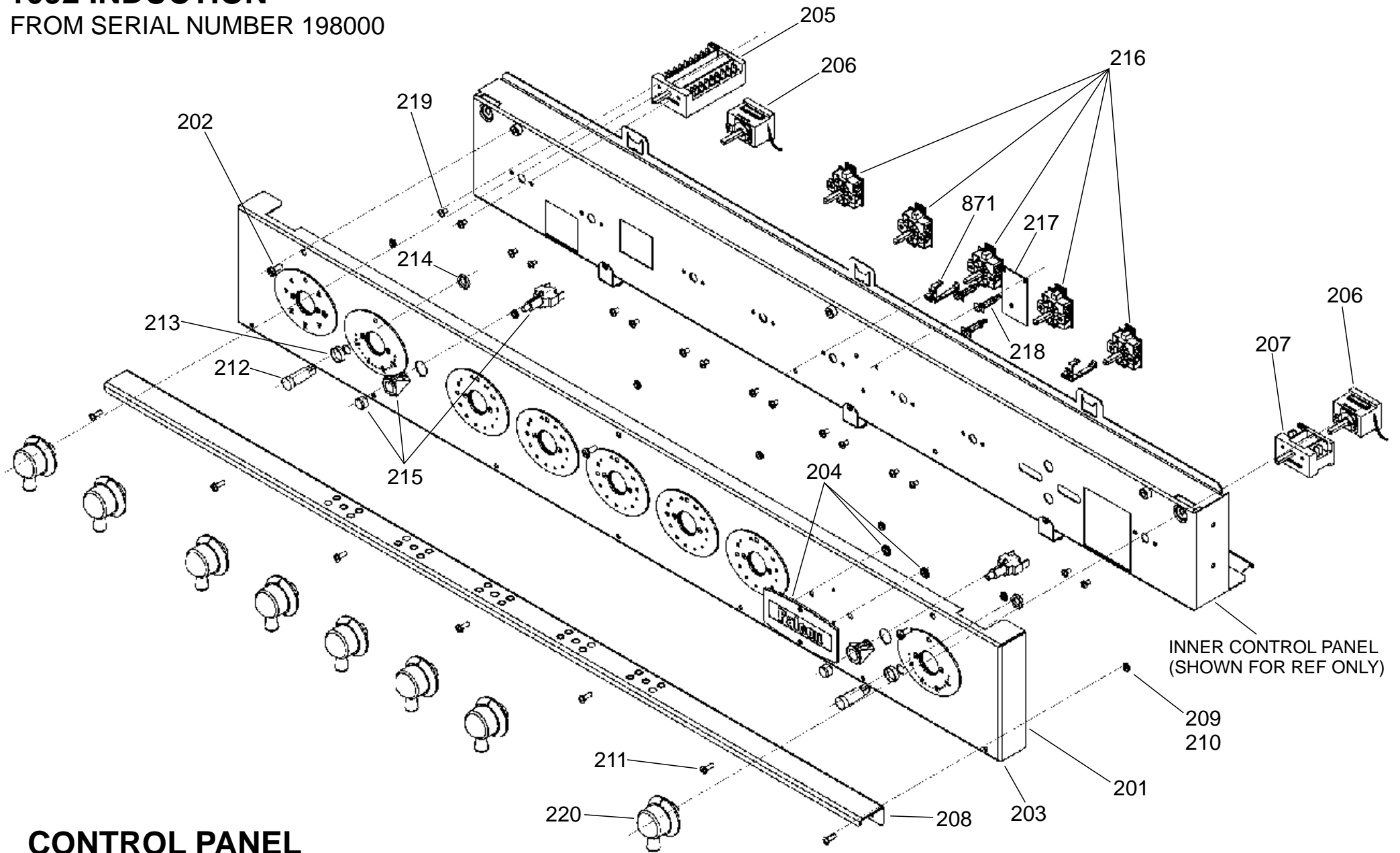


HOB AND INDUCTION ASSEMBLY

**FALCON CONTINENTAL
1092 INDUCTION**
FROM SERIAL NUMBER 198000

DATE: 24.06.2019

DSL0774 P02
ISSUE: 01

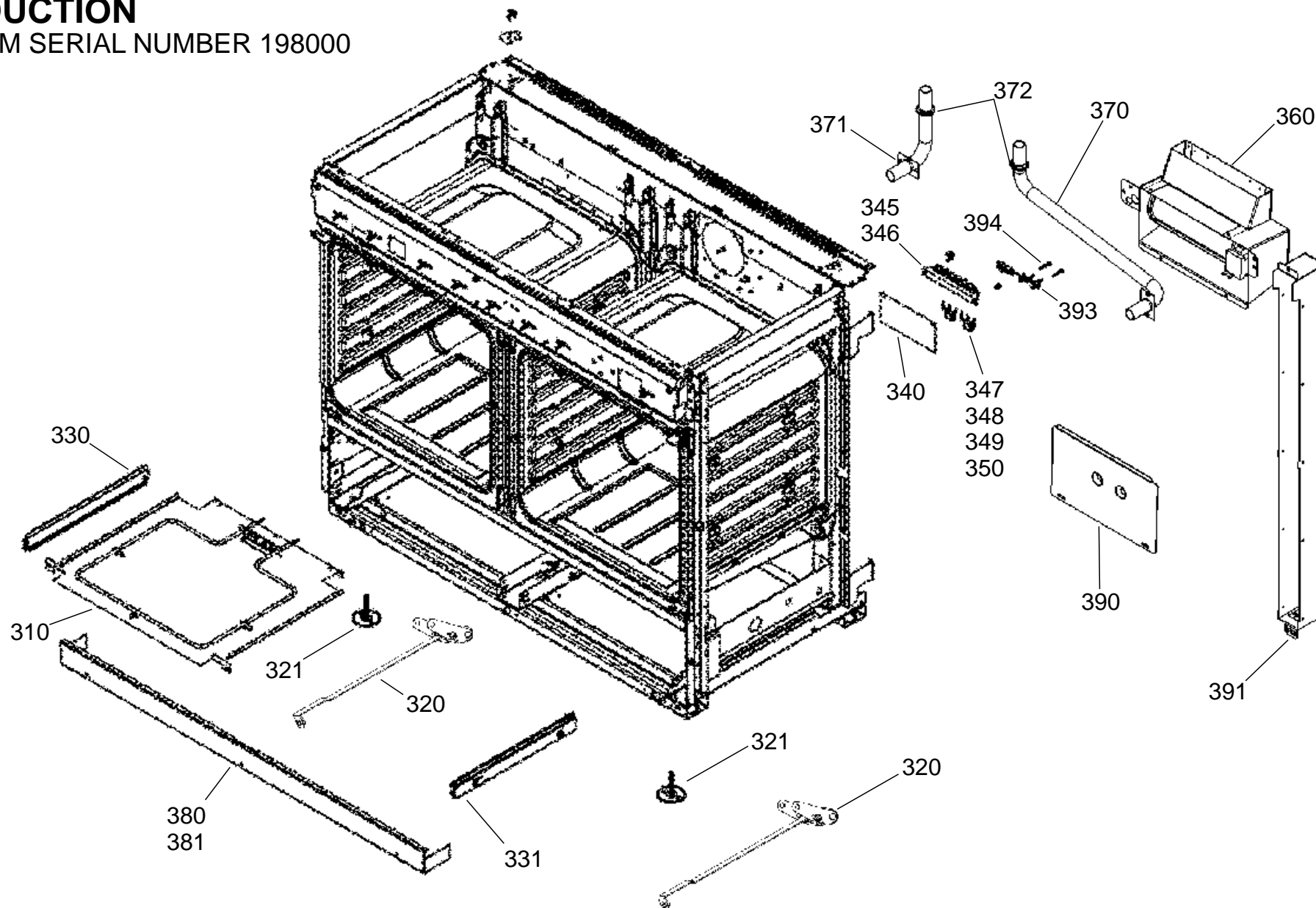


CONTROL PANEL

**FALCON CONTINENTAL
INDUCTION**
FROM SERIAL NUMBER 198000

DATE: 24.06.2019

DSL0774 P03
ISSUE: 01

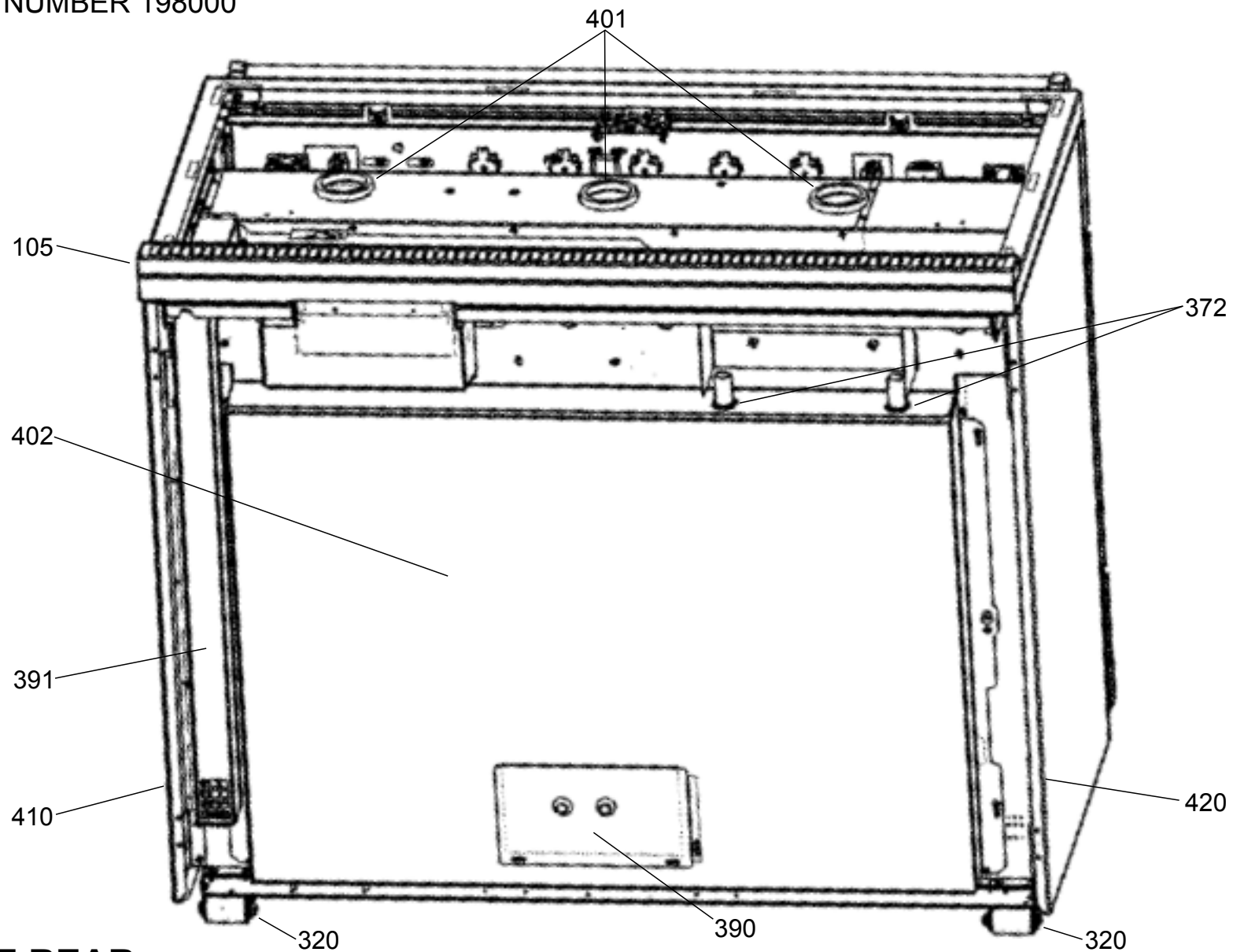


CHASSIS AND FRAME ASSEMBLY

**FALCON CONTINENTAL
INDUCTION**
FROM SERIAL NUMBER 198000

DATE: 24.06.2019

DSL0774 P04
ISSUE: 01



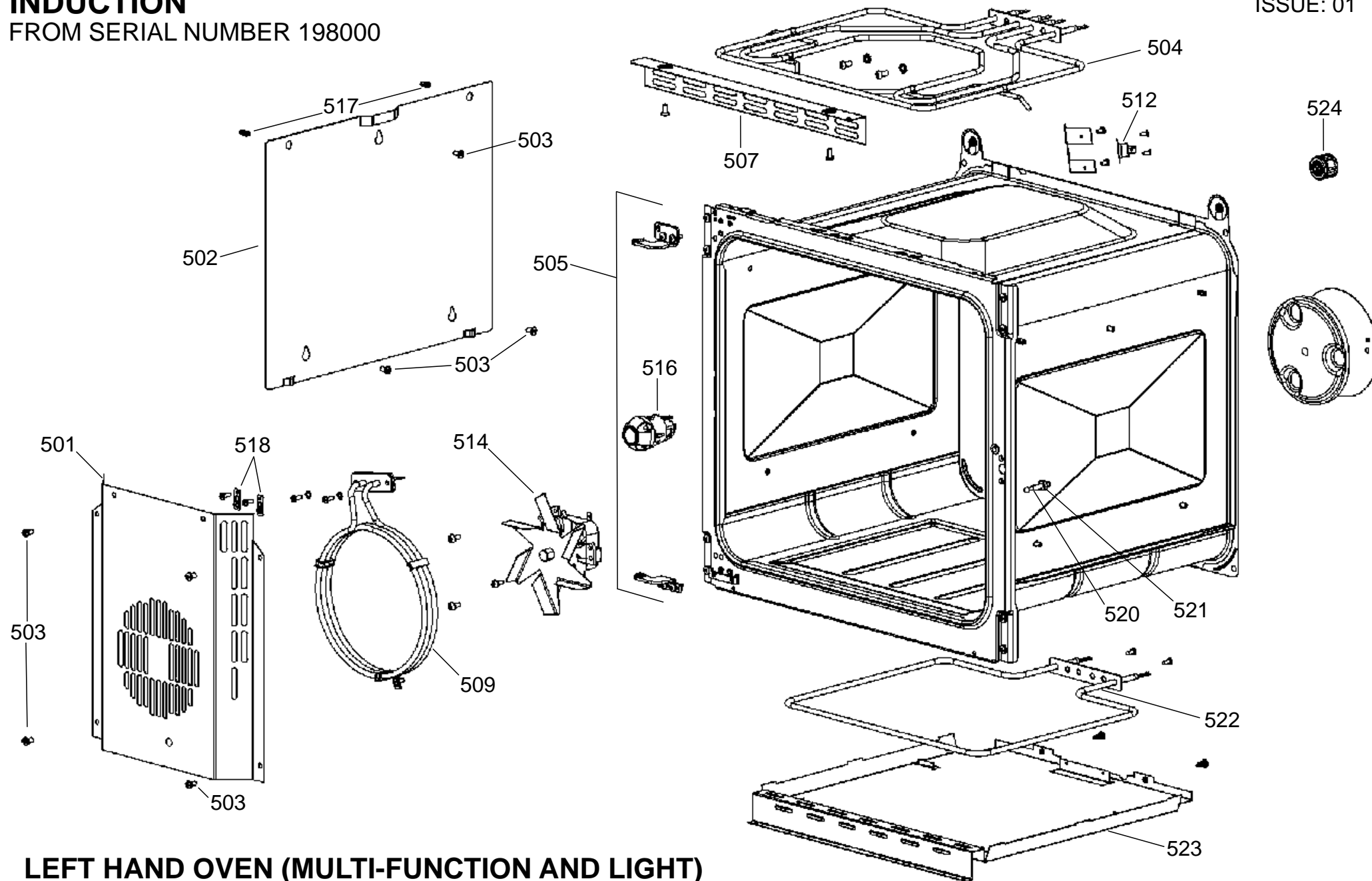
APPLIANCE REAR

**FALCON CONTINENTAL
INDUCTION**
FROM SERIAL NUMBER 198000

DATE: 24.06.2019

DSL0774 P05

ISSUE: 01



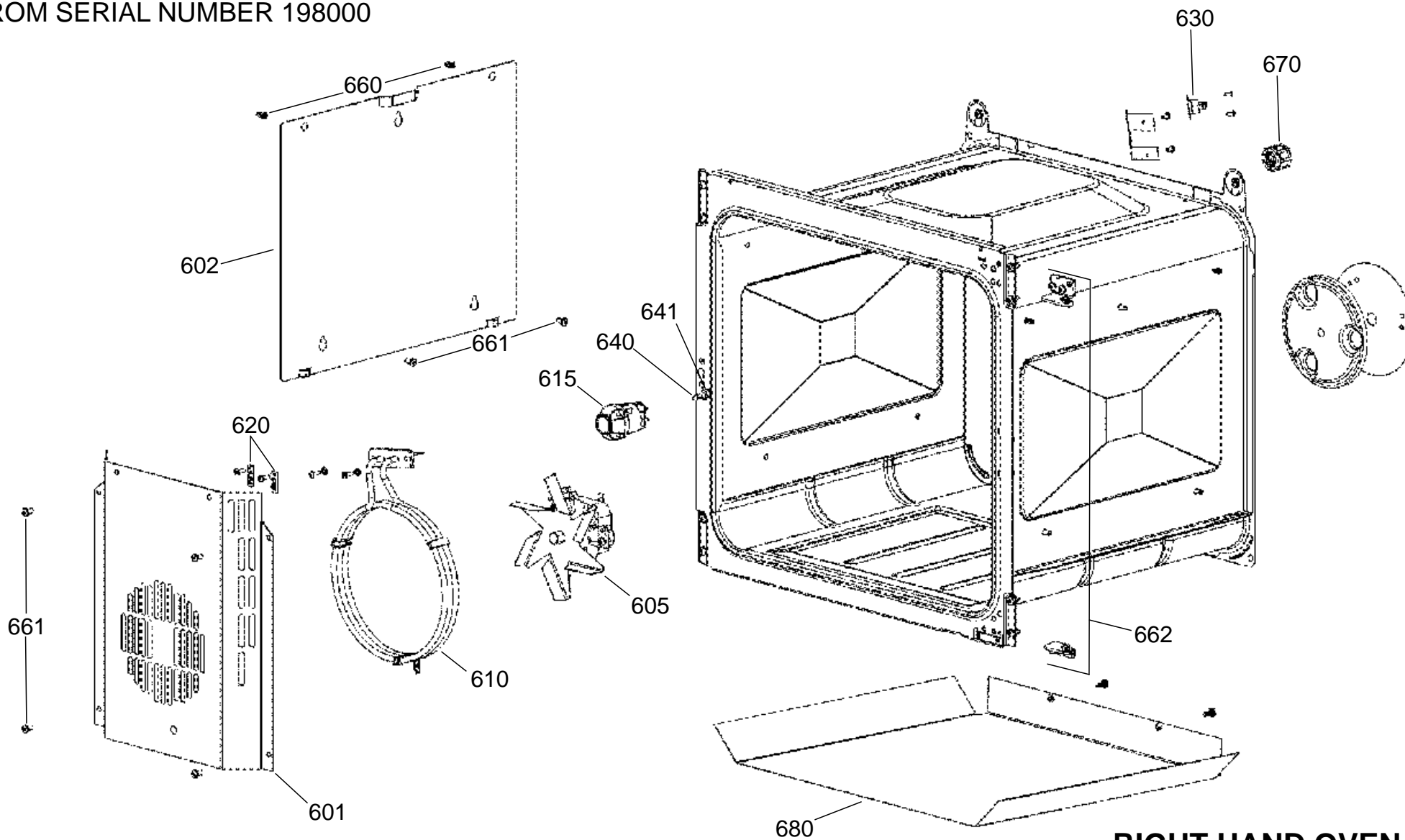
LEFT HAND OVEN (MULTI-FUNCTION AND LIGHT)

**FALCON CONTINENTAL
INDUCTION**
FROM SERIAL NUMBER 198000

DATE: 24.06.2019

DSL0774 P06

ISSUE: 01

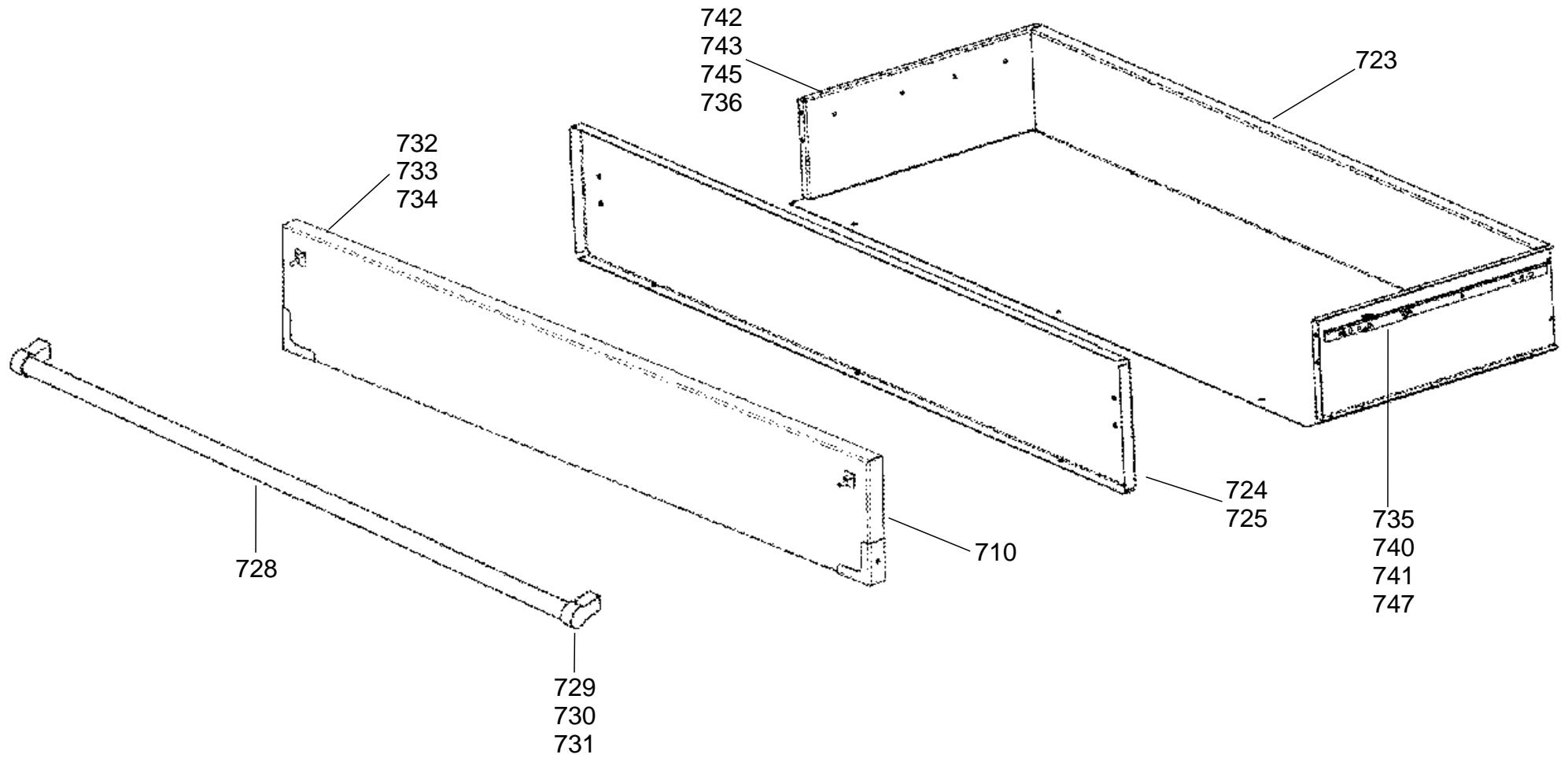


**RIGHT HAND OVEN
(FANNED AND LIGHT)**

**FALCON CONTINENTAL
INDUCTION**
FROM SERIAL NUMBER 198000

DATE: 24.06.2019

DSL0774 P07
ISSUE: 01

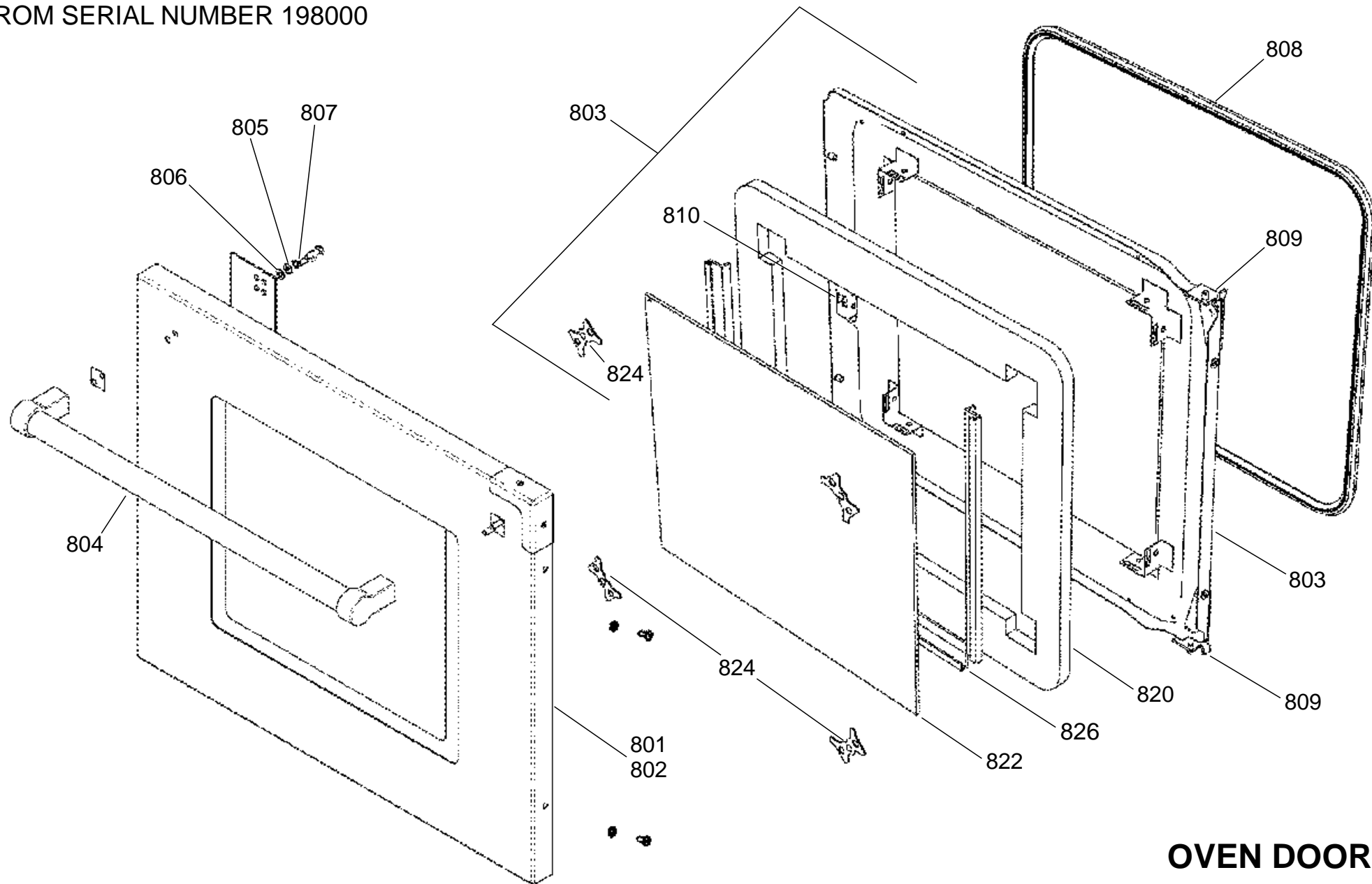


STORAGE DRAWER

**FALCON CONTINENTAL
INDUCTION**
FROM SERIAL NUMBER 198000

DATE: 24.06.2019

DSL0774 P08
ISSUE: 01



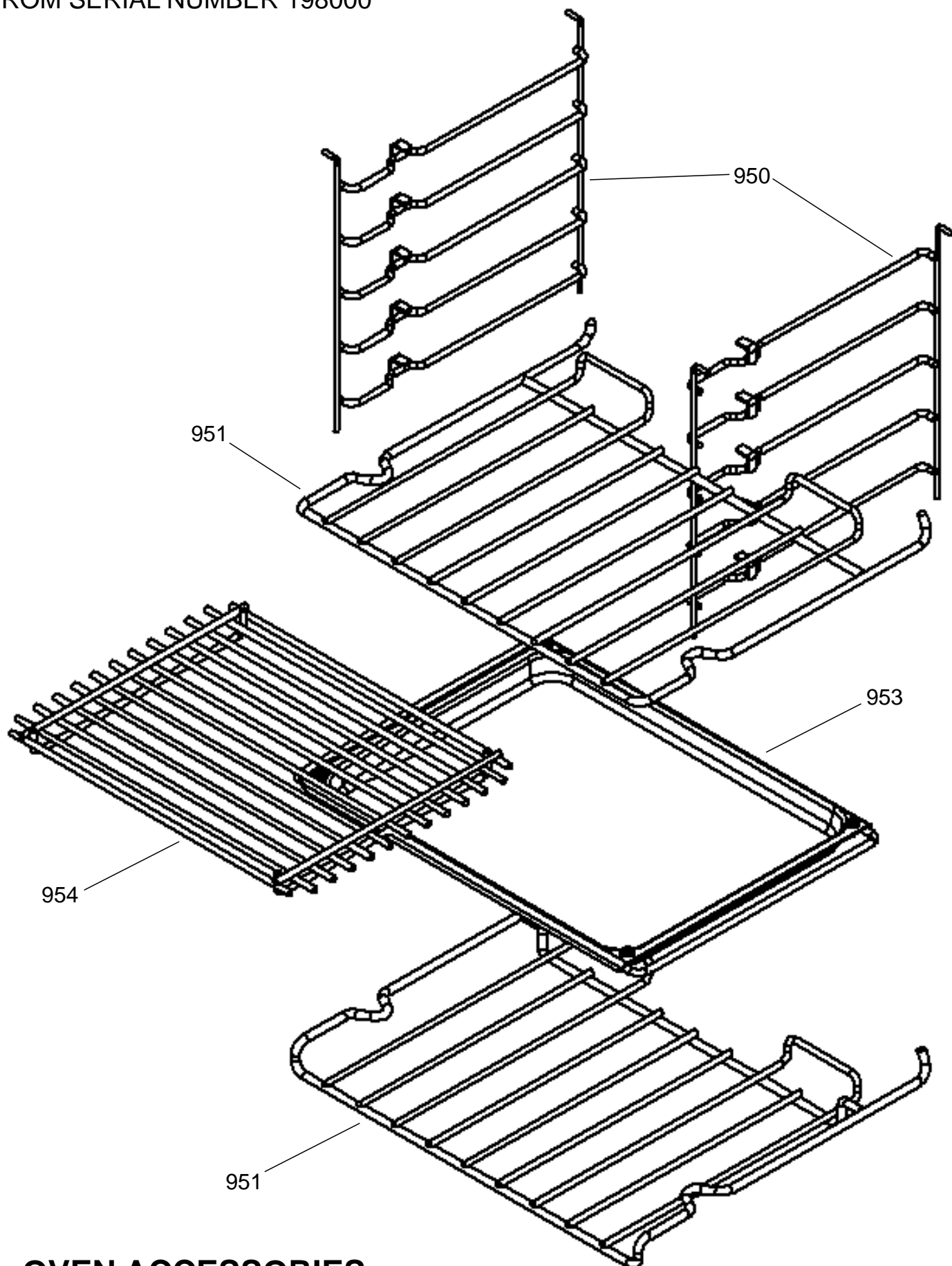
FALCON CONTINENTAL INDUCTION

DATE: 24.06.2019

DSL0774 P09

ISSUE: 01

FROM SERIAL NUMBER 198000



OVEN ACCESSORIES

FALCON CONTINENTAL 1092 INDUCTION

FROM SERIAL NUMBER 198000

DATE: 24.06.2019

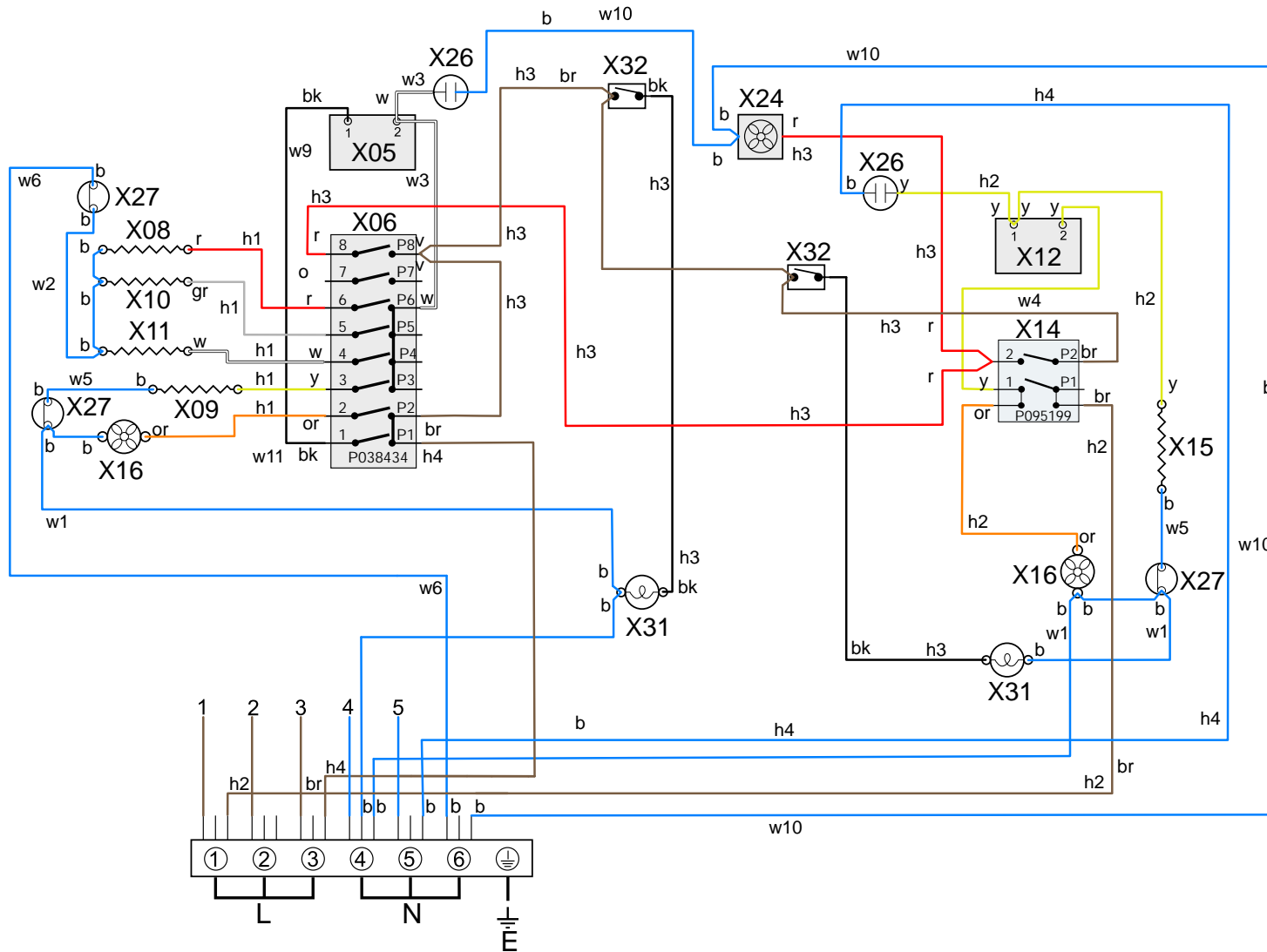
DSL0774 P14

ISSUE: 01

Key

The connections shown in the circuit diagram and for single phase.
The ratings are for 230v 50 Hz.
Component positions are viewed from the front of the cooker.

Code	Colour
b	Blue
br	Brown
bk	Black
or	Orange
r	Red
v	Violet
w	White
y	Yellow
g/y	Green / Yellow
gr	Grey



Code	Components
X05	Left Hand Oven Thermostat
X06	Left Hand Oven Multifunction Switch
X08	Left Hand Oven Base Element
X09	Left Hand Oven Fan Element
X10	Left Hand Oven Top Outer Element
X11	Left Hand Oven Top Inner Element
X12	Right Hand Oven Thermostat
X14	Right Hand Oven Front Switch
X15	Right Hand Oven Fan Element
X16	Oven Fan
X24	Cooling Fan
X26	Neons
X27	Thermal Cut-Out
X31	Oven Light
X32	Oven Light Switch

WIRING DIAGRAM

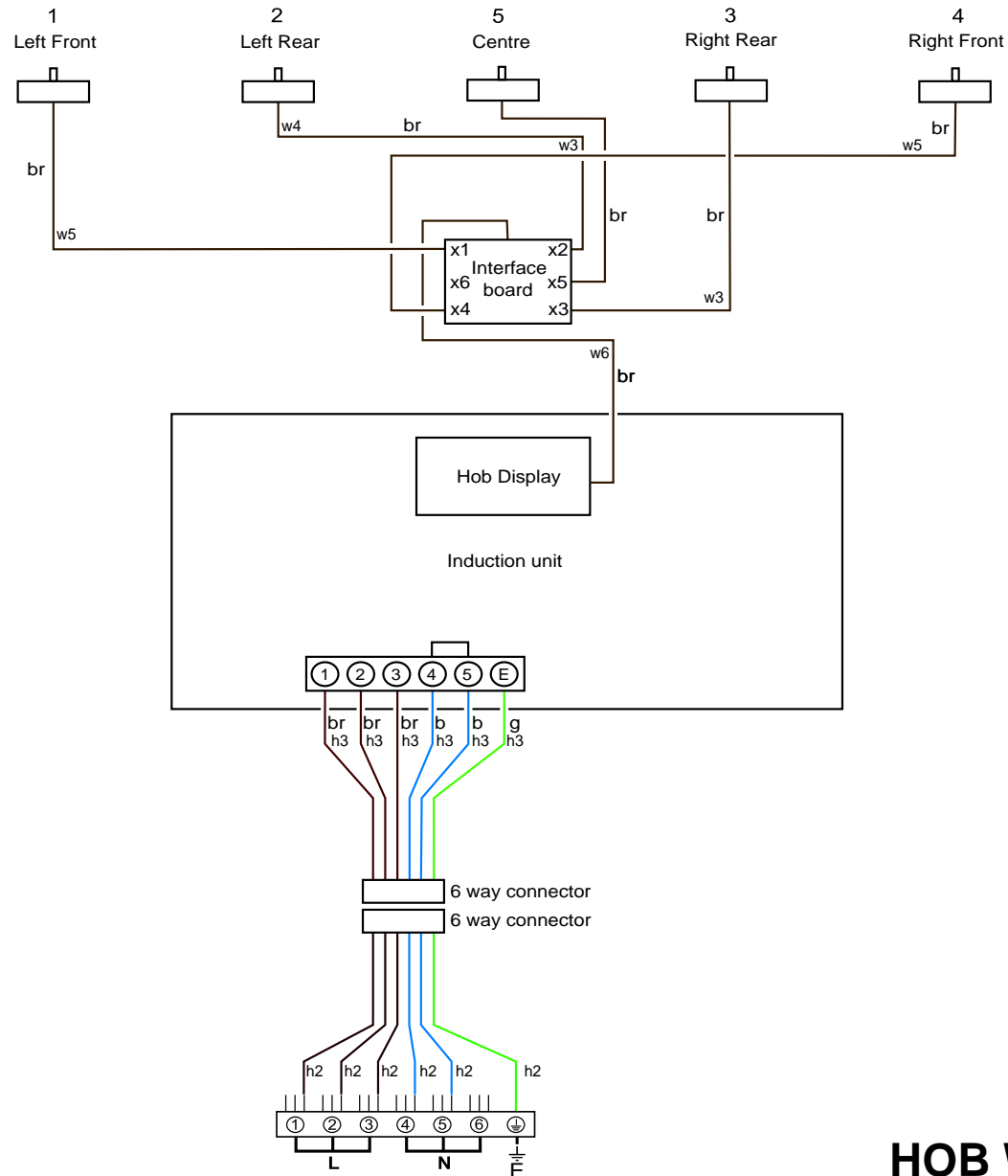
FALCON CONTINENTAL 1092 INDUCTION

FROM SERIAL NUMBER 198000

DATE: 24.06.2019

DSL0774 P15

ISSUE: 01



HOB WIRING DIAGRAM